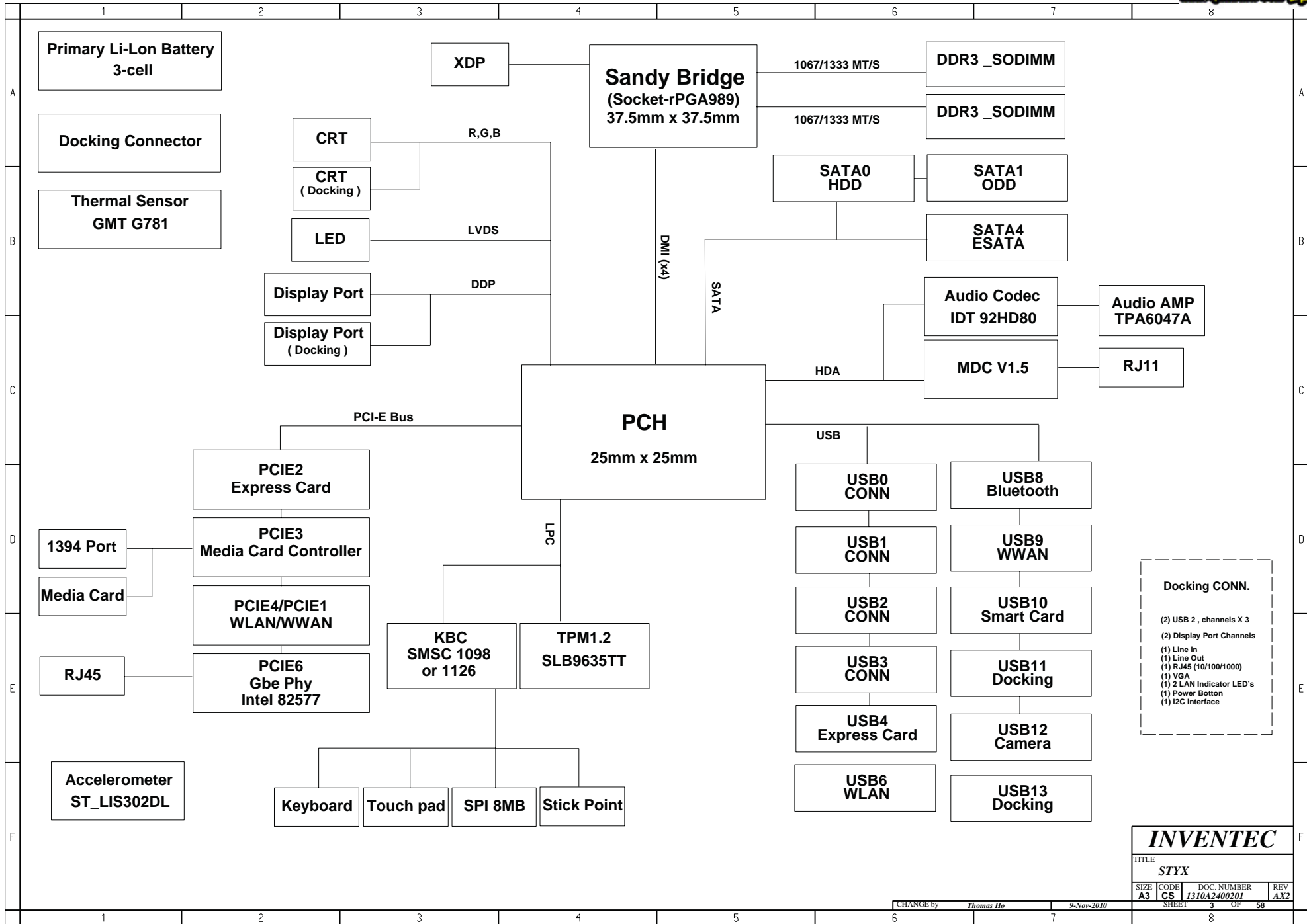


| | | | | | | | | | | | | | | | | | | | | | | | | | | | | | | | | | | | | | | | | | | | | | | | | | | | | | | | | | | | | | | | | | | | | | | | | | | | | | | | | | | | | | | | | | | | | | | | | | | | | | | | | | | | |
|-----------------|---|-------|------------|--------------|---|---|---|---|---|--|--|--|--|--|--|--|--|--|--|--|--|--|--|--|--|---|--------|----|------|-------|------|--------|--|--|--|--|-------|--|--|--|--|-------------|--|--|--|--|-----------------|--|--|--|--|-------|--|--|--|--|-------------|--|--|--|--|--------|---|-------|--|--|-------------|----------------|--|--|--|-----|--------------|--|--|--|------|----|------|----|-------------|--|--|--|--|--------------|--|--|--|--|-----|--|--|--|--|-----|--|--|--|--|-------|--|--|--|--|---------|--|
| | 1 | 2 | 3 | 4 | 5 | 6 | 7 | 8 | | | | | | | | | | | | | | | | | | | | | | | | | | | | | | | | | | | | | | | | | | | | | | | | | | | | | | | | | | | | | | | | | | | | | | | | | | | | | | | | | | | | | | | | | | | | | | | | | | | |
| A | THIS DRAWING AND SPECIFICATIONS, HEREIN, ARE THE PROPERTY OF INVENTEC CORPORATION AND SHALL NOT BE REPRODUCED, COPIED, OR USED IN WHOLE OR IN PART AS THE BASIS FOR THE MANUFACTURE OR SALE OF ITEMS WITHOUT WRITTEN PERMISSION, INVENTEC CORPORATION 2009 ALL RIGHT RESERVED HSF Property : Halogen-Free | | | | | | | | A | | | | | | | | | | | | | | | | | | | | | | | | | | | | | | | | | | | | | | | | | | | | | | | | | | | | | | | | | | | | | | | | | | | | | | | | | | | | | | | | | | | | | | | | | | | | | | | | | | |
| B | <h1>STYX</h1> <h2>MV BUILD</h2> <p style="font-size: 2em; margin-top: 20px;">2011.04.15</p> | | | | | | | | B | | | | | | | | | | | | | | | | | | | | | | | | | | | | | | | | | | | | | | | | | | | | | | | | | | | | | | | | | | | | | | | | | | | | | | | | | | | | | | | | | | | | | | | | | | | | | | | | | | |
| C | | | | | | | | | C | | | | | | | | | | | | | | | | | | | | | | | | | | | | | | | | | | | | | | | | | | | | | | | | | | | | | | | | | | | | | | | | | | | | | | | | | | | | | | | | | | | | | | | | | | | | | | | | | | |
| D | | | | | | | | | D | | | | | | | | | | | | | | | | | | | | | | | | | | | | | | | | | | | | | | | | | | | | | | | | | | | | | | | | | | | | | | | | | | | | | | | | | | | | | | | | | | | | | | | | | | | | | | | | | | |
| E | | | | | | | | | E | | | | | | | | | | | | | | | | | | | | | | | | | | | | | | | | | | | | | | | | | | | | | | | | | | | | | | | | | | | | | | | | | | | | | | | | | | | | | | | | | | | | | | | | | | | | | | | | | | |
| F | | | | | | | | | F | | | | | | | | | | | | | | | | | | | | | | | | | | | | | | | | | | | | | | | | | | | | | | | | | | | | | | | | | | | | | | | | | | | | | | | | | | | | | | | | | | | | | | | | | | | | | | | | | | |
| | <table border="1" style="width: 100%; border-collapse: collapse;"> <tr> <td style="width: 33%;">DATE</td> <td style="width: 33%;">CHANGE NO.</td> <td style="width: 33%;">REV</td> </tr> <tr> <td> </td> <td> </td> <td> </td> </tr> <tr> <td> </td> <td> </td> <td> </td> </tr> <tr> <td> </td> <td> </td> <td> </td> </tr> <tr> <td> </td> <td> </td> <td> </td> </tr> <tr> <td> </td> <td> </td> <td> </td> </tr> <tr> <td> </td> <td> </td> <td> </td> </tr> <tr> <td> </td> <td> </td> <td> </td> </tr> </table> | DATE | CHANGE NO. | REV | | | | | | | | | | | | | | | | | | | | | | <table border="1" style="width: 100%; border-collapse: collapse;"> <tr> <td style="width: 25%;">DRAWER</td> <td style="width: 25%;">EE</td> <td style="width: 25%;">DATE</td> <td style="width: 25%;">POWER</td> <td style="width: 25%;">DATE</td> </tr> <tr> <td>DESIGN</td> <td> </td> <td> </td> <td> </td> <td> </td> </tr> <tr> <td>CHECK</td> <td> </td> <td> </td> <td> </td> <td> </td> </tr> <tr> <td>RESPONSIBLE</td> <td> </td> <td> </td> <td> </td> <td> </td> </tr> <tr> <td colspan="5" style="text-align: center;">INVENTEC</td> </tr> <tr> <td colspan="5" style="text-align: center;">TITLE</td> </tr> <tr> <td colspan="5" style="text-align: center;">STYX</td> </tr> <tr> <td>SIZE =</td> <td>3</td> <td>VER :</td> <td colspan="2"> </td> </tr> <tr> <td>FILE NAME :</td> <td colspan="4">XXXX-XXXXXX-XX</td> </tr> <tr> <td>P/N</td> <td colspan="4">XXXXXXXXXXXX</td> </tr> <tr> <td>SIZE</td> <td>A3</td> <td>CODE</td> <td>CS</td> <td>DOC. NUMBER</td> </tr> <tr> <td> </td> <td> </td> <td> </td> <td> </td> <td>1310A2400201</td> </tr> <tr> <td> </td> <td> </td> <td> </td> <td> </td> <td>REV</td> </tr> <tr> <td> </td> <td> </td> <td> </td> <td> </td> <td>AX2</td> </tr> <tr> <td> </td> <td> </td> <td> </td> <td> </td> <td>SHEET</td> </tr> <tr> <td> </td> <td> </td> <td> </td> <td> </td> <td>1 OF 58</td> </tr> </table> | DRAWER | EE | DATE | POWER | DATE | DESIGN | | | | | CHECK | | | | | RESPONSIBLE | | | | | INVENTEC | | | | | TITLE | | | | | STYX | | | | | SIZE = | 3 | VER : | | | FILE NAME : | XXXX-XXXXXX-XX | | | | P/N | XXXXXXXXXXXX | | | | SIZE | A3 | CODE | CS | DOC. NUMBER | | | | | 1310A2400201 | | | | | REV | | | | | AX2 | | | | | SHEET | | | | | 1 OF 58 | |
| DATE | CHANGE NO. | REV | | | | | | | | | | | | | | | | | | | | | | | | | | | | | | | | | | | | | | | | | | | | | | | | | | | | | | | | | | | | | | | | | | | | | | | | | | | | | | | | | | | | | | | | | | | | | | | | | | | | | | | | | |
| | | | | | | | | | | | | | | | | | | | | | | | | | | | | | | | | | | | | | | | | | | | | | | | | | | | | | | | | | | | | | | | | | | | | | | | | | | | | | | | | | | | | | | | | | | | | | | | | | | | | | | | | | | | |
| | | | | | | | | | | | | | | | | | | | | | | | | | | | | | | | | | | | | | | | | | | | | | | | | | | | | | | | | | | | | | | | | | | | | | | | | | | | | | | | | | | | | | | | | | | | | | | | | | | | | | | | | | | | |
| | | | | | | | | | | | | | | | | | | | | | | | | | | | | | | | | | | | | | | | | | | | | | | | | | | | | | | | | | | | | | | | | | | | | | | | | | | | | | | | | | | | | | | | | | | | | | | | | | | | | | | | | | | | |
| | | | | | | | | | | | | | | | | | | | | | | | | | | | | | | | | | | | | | | | | | | | | | | | | | | | | | | | | | | | | | | | | | | | | | | | | | | | | | | | | | | | | | | | | | | | | | | | | | | | | | | | | | | | |
| | | | | | | | | | | | | | | | | | | | | | | | | | | | | | | | | | | | | | | | | | | | | | | | | | | | | | | | | | | | | | | | | | | | | | | | | | | | | | | | | | | | | | | | | | | | | | | | | | | | | | | | | | | | |
| | | | | | | | | | | | | | | | | | | | | | | | | | | | | | | | | | | | | | | | | | | | | | | | | | | | | | | | | | | | | | | | | | | | | | | | | | | | | | | | | | | | | | | | | | | | | | | | | | | | | | | | | | | | |
| | | | | | | | | | | | | | | | | | | | | | | | | | | | | | | | | | | | | | | | | | | | | | | | | | | | | | | | | | | | | | | | | | | | | | | | | | | | | | | | | | | | | | | | | | | | | | | | | | | | | | | | | | | | |
| DRAWER | EE | DATE | POWER | DATE | | | | | | | | | | | | | | | | | | | | | | | | | | | | | | | | | | | | | | | | | | | | | | | | | | | | | | | | | | | | | | | | | | | | | | | | | | | | | | | | | | | | | | | | | | | | | | | | | | | | | | | |
| DESIGN | | | | | | | | | | | | | | | | | | | | | | | | | | | | | | | | | | | | | | | | | | | | | | | | | | | | | | | | | | | | | | | | | | | | | | | | | | | | | | | | | | | | | | | | | | | | | | | | | | | | | | | | | | | |
| CHECK | | | | | | | | | | | | | | | | | | | | | | | | | | | | | | | | | | | | | | | | | | | | | | | | | | | | | | | | | | | | | | | | | | | | | | | | | | | | | | | | | | | | | | | | | | | | | | | | | | | | | | | | | | | |
| RESPONSIBLE | | | | | | | | | | | | | | | | | | | | | | | | | | | | | | | | | | | | | | | | | | | | | | | | | | | | | | | | | | | | | | | | | | | | | | | | | | | | | | | | | | | | | | | | | | | | | | | | | | | | | | | | | | | |
| INVENTEC | | | | | | | | | | | | | | | | | | | | | | | | | | | | | | | | | | | | | | | | | | | | | | | | | | | | | | | | | | | | | | | | | | | | | | | | | | | | | | | | | | | | | | | | | | | | | | | | | | | | | | | | | | | |
| TITLE | | | | | | | | | | | | | | | | | | | | | | | | | | | | | | | | | | | | | | | | | | | | | | | | | | | | | | | | | | | | | | | | | | | | | | | | | | | | | | | | | | | | | | | | | | | | | | | | | | | | | | | | | | | |
| STYX | | | | | | | | | | | | | | | | | | | | | | | | | | | | | | | | | | | | | | | | | | | | | | | | | | | | | | | | | | | | | | | | | | | | | | | | | | | | | | | | | | | | | | | | | | | | | | | | | | | | | | | | | | | |
| SIZE = | 3 | VER : | | | | | | | | | | | | | | | | | | | | | | | | | | | | | | | | | | | | | | | | | | | | | | | | | | | | | | | | | | | | | | | | | | | | | | | | | | | | | | | | | | | | | | | | | | | | | | | | | | | | | | | | | |
| FILE NAME : | XXXX-XXXXXX-XX | | | | | | | | | | | | | | | | | | | | | | | | | | | | | | | | | | | | | | | | | | | | | | | | | | | | | | | | | | | | | | | | | | | | | | | | | | | | | | | | | | | | | | | | | | | | | | | | | | | | | | | | | | |
| P/N | XXXXXXXXXXXX | | | | | | | | | | | | | | | | | | | | | | | | | | | | | | | | | | | | | | | | | | | | | | | | | | | | | | | | | | | | | | | | | | | | | | | | | | | | | | | | | | | | | | | | | | | | | | | | | | | | | | | | | | |
| SIZE | A3 | CODE | CS | DOC. NUMBER | | | | | | | | | | | | | | | | | | | | | | | | | | | | | | | | | | | | | | | | | | | | | | | | | | | | | | | | | | | | | | | | | | | | | | | | | | | | | | | | | | | | | | | | | | | | | | | | | | | | | | | |
| | | | | 1310A2400201 | | | | | | | | | | | | | | | | | | | | | | | | | | | | | | | | | | | | | | | | | | | | | | | | | | | | | | | | | | | | | | | | | | | | | | | | | | | | | | | | | | | | | | | | | | | | | | | | | | | | | | | |
| | | | | REV | | | | | | | | | | | | | | | | | | | | | | | | | | | | | | | | | | | | | | | | | | | | | | | | | | | | | | | | | | | | | | | | | | | | | | | | | | | | | | | | | | | | | | | | | | | | | | | | | | | | | | | |
| | | | | AX2 | | | | | | | | | | | | | | | | | | | | | | | | | | | | | | | | | | | | | | | | | | | | | | | | | | | | | | | | | | | | | | | | | | | | | | | | | | | | | | | | | | | | | | | | | | | | | | | | | | | | | | | |
| | | | | SHEET | | | | | | | | | | | | | | | | | | | | | | | | | | | | | | | | | | | | | | | | | | | | | | | | | | | | | | | | | | | | | | | | | | | | | | | | | | | | | | | | | | | | | | | | | | | | | | | | | | | | | | | |
| | | | | 1 OF 58 | | | | | | | | | | | | | | | | | | | | | | | | | | | | | | | | | | | | | | | | | | | | | | | | | | | | | | | | | | | | | | | | | | | | | | | | | | | | | | | | | | | | | | | | | | | | | | | | | | | | | | | |
| | 1 | 2 | 3 | 4 | 5 | 6 | 7 | 8 | | | | | | | | | | | | | | | | | | | | | | | | | | | | | | | | | | | | | | | | | | | | | | | | | | | | | | | | | | | | | | | | | | | | | | | | | | | | | | | | | | | | | | | | | | | | | | | | | | | |

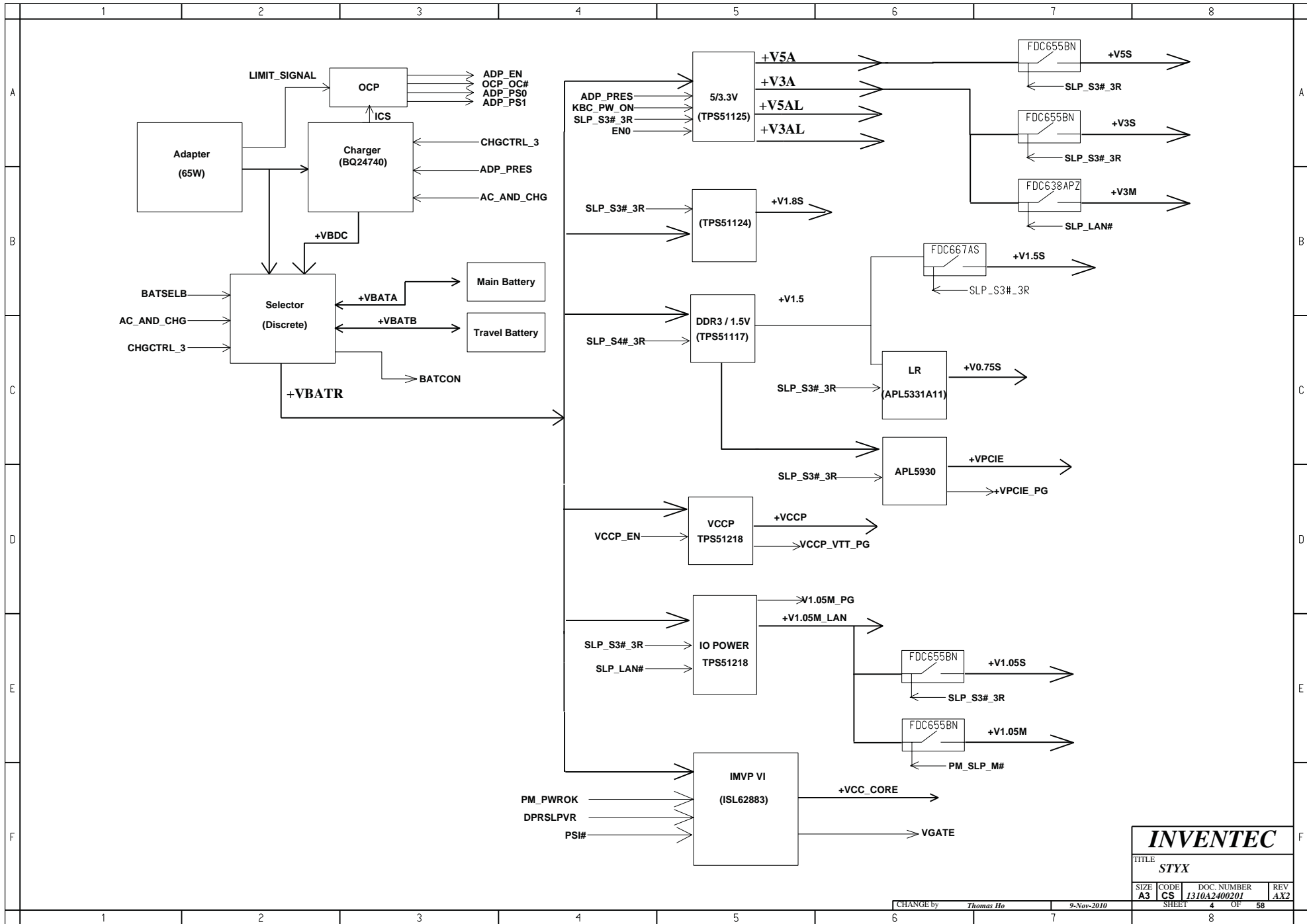
TABLE OF CONTENTS

| | |
|------------------------------------|--------------------------------------|
| 5- DC& BATTERY CHARGER | 27- PCH1 |
| 6- SELECT & BATTERY CONN | 28- PCH2 |
| 7- SYSTEM POWER(3V/5V) | 29- PCH3 |
| 8- SYSTEM POWER(+V1.5/+V1.05M_LAN) | 30- PCH4 |
| 9- POWER(+V1.8S) | 31- PCH5 |
| 10- SYSTEM POWER(+VCCP) | 32- PCH6 |
| 11- CPU POWER(+V0.85S) | 33- PCH7-POWER |
| 12- CPU POWER(+VCC_CORE) | 34- PCH8-POWER |
| 13- CPU POWER(+VGFX) | 35- PCH9 |
| 14- POWER(SLEEP) | 36- CRT / DISPLAY PORT CNTR |
| 15- POWER(SEQUENCE) | 37- EDP & WEBCAM |
| 16- FAN & THERMAL | 38- SATA & ODD CNTR |
| 17- XDP CONN | 39- USB & ESATA COMBO |
| 18- SANDY BRIDGE1 | 40- BLANK |
| 19- SANDY BRIDGE2 | 41- BLUE TOOTH & FINGER PRINTER CNTR |
| 20- SANDY BRIDGE4 | 42- ACCELEMETOR |
| 21- SANDY BRIDGE3 | 43- KBC / SPI |
| 22- SANDY BRIDGE5 | 44- Keyboard/ Point Stick/Touch pad |
| 23- SANDY BRIDGE6 | 46- LAN INTERFACE |
| 24- DDR3-DIMM0 | 47- LAN RJ45 CNTR |
| 25- DDR3-DIMM1 | 45- TPM/MDC |
| 26- BLANK | 48- WWAN/WLAN/SIM |
| | 49- Docking |
| | 50- WLAN/ WWAN / BT LED |
| | 51- SCREW |
| | 52-Quick button |
| | 53-Smart card |
| | 54-EXPRESS CARD |
| | 55- CODEC |
| | 56- MIC & Hearphone JACK |
| | 57- CARD READER |
| | 58- HALL SENSOR |

| | | | |
|------------------------|------------|----------------------------|------------|
| INVENTEC | | | |
| TITLE STYX | | | |
| SIZE A3 | CODE CS | DOC NUMBER J310A2400201 | REV AX2 |
| CHANGE by Thomas Ho | | 15-Nov-2010 | |
| SHEET 2 | | OF 58 | |



| | | | |
|-----------------|------|---------------|-----|
| INVENTEC | | | |
| TITLE | | | |
| STYX | | | |
| SIZE | CODE | DOC NUMBER | REV |
| A3 | CS | J310A2400201 | AX2 |
| CHANGE by | | 9-Nov-2010 | |
| Thomas Ho | | SHEET 3 OF 58 | |



INVENTEC

TITLE
STYX

| | | | |
|-------------------|-------------------|------------------------------------|-------------------|
| SIZE A3 | CODE CS | DOC. NUMBER 1310A2400201 | REV AX2 |
| SHEET 4 | | OF 58 | |

CHANGE by *Thomas Ho* 9-Nov-2010

